

SCULPTOR

5.1 Home Theater Headphones

PLATINUM



Instructions manual

Dear User,

Please read this instruction manual before installing and using SCULPTOR 5.1 Home Theater Headphones.

Features

- Designed for Home Cinema systems
- Professional & comfortable design
- Vibration device for XTRA BASS effects
- Each earphone is equipped with 4 independent drive units
- For use with computer 5.1 sound cards
- Portable amplifier supporting 2 units of 5.1 Home Theater Headphones
- Full set of cables and adaptors supports most AUDIO systems and sound cards

Specification

- Output power: 250mW (front, surround, center channels); 500mW (subwoofer channel)
- Frequency response: 20Hz - 20kHz
- Drive unit of front speakers: 30mm x 2, 32 ohm
- Drive unit of surround speakers: 30mm x 2, 32 ohm
- Drive unit of center & subwoofer speakers: 40mm x 2, 64 ohm
- XTRA BASS vibrating device x 2, 8 ohm

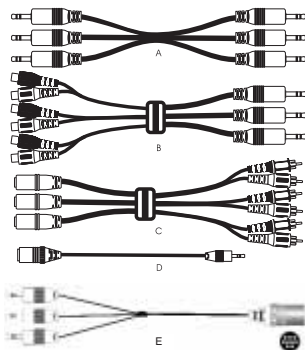
Full set includes



1. 1 unit SCULPTOR 5.1 headphones



2. 1 unit 5.1 amplifier box



3. 5 cables and adapters



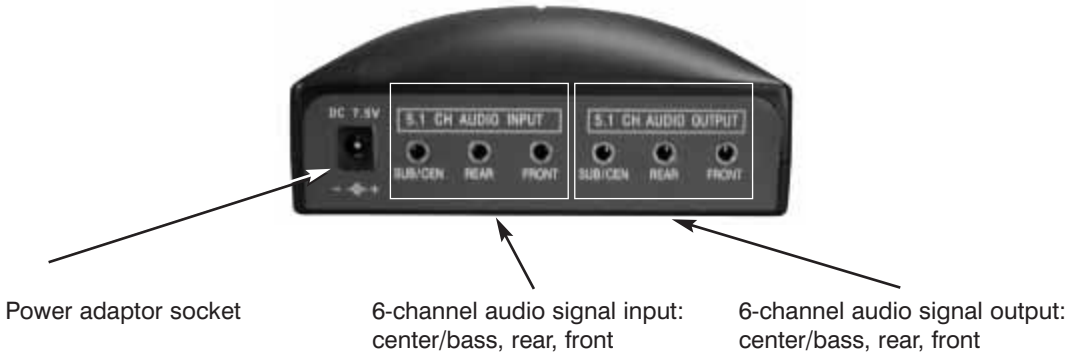
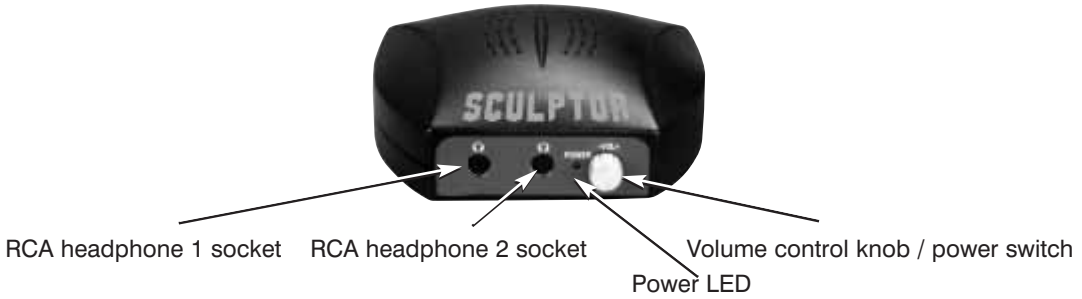
4. 1 unit AC/DC adaptor



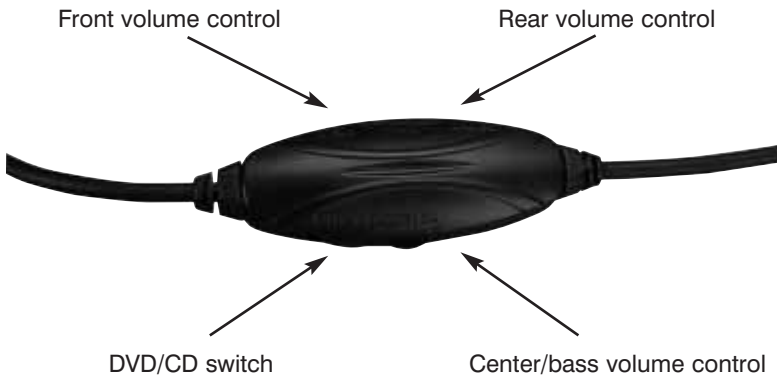
5. User manual

Description

1. Amplifier



2. Cable control module



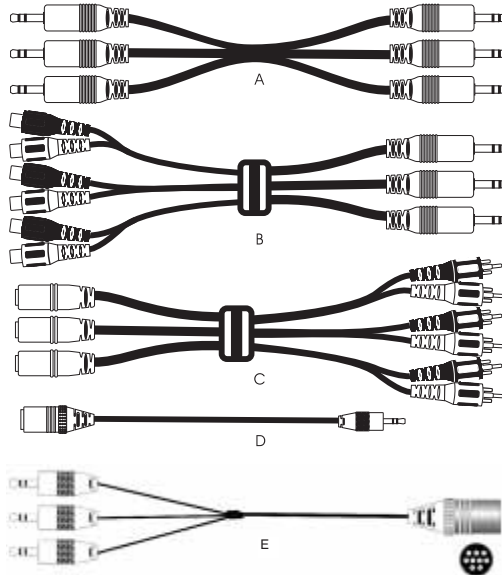
Maintenance

For adjusting sound please use cable control module. When You want to use 6-channel connection, the DVD/CD switch should be switched into DVD position. When You want to use 2-channel connection, the DVD/CD switch should be switched into CD position.

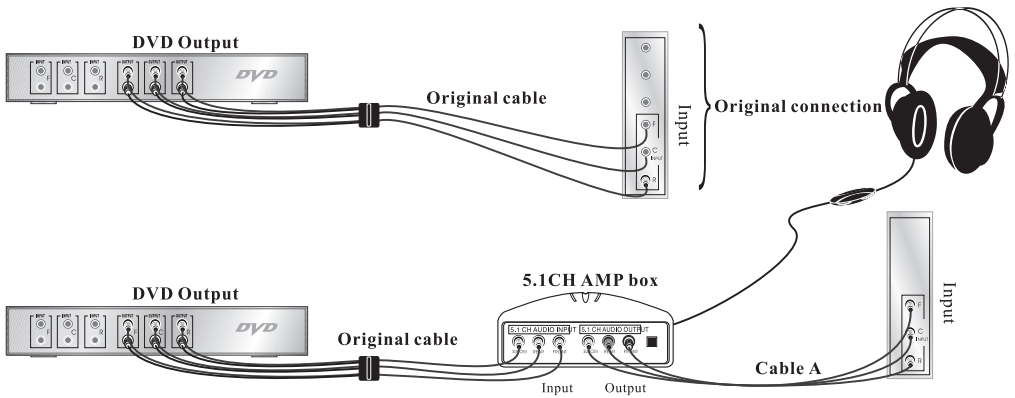
Amplifier's volume control knob control all channels sound in both headphones sockets.

Connecting cables

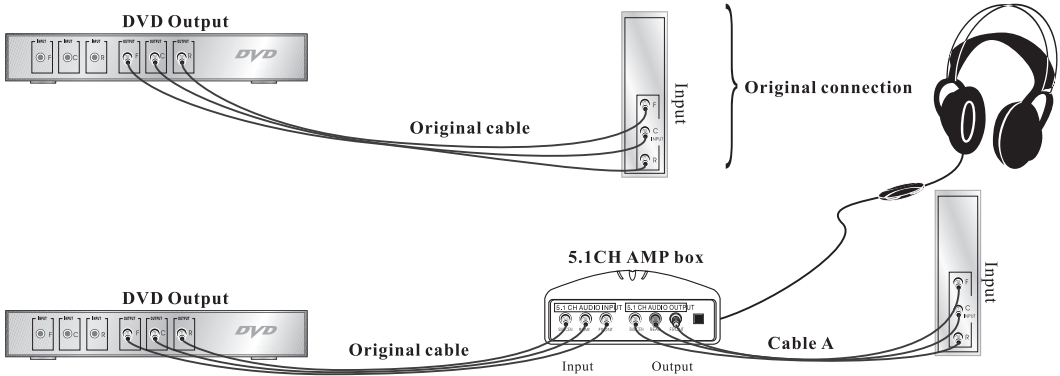
- A. Signal connecting cable with 3.5mm stereo plugs
- B. Transmit cable with 3.5mm stereo plugs & RCA stereo jacks
- C. Transmit cable with 3.5mm RCA stereo jacks & RCA stereo plugs
- D. Transmit cable with 3.5mm stereo plugs & 7PIN RCA jack
- E. Direct cable adaptor from RCA to 3 3.5mm stereo plugs (6-channel)



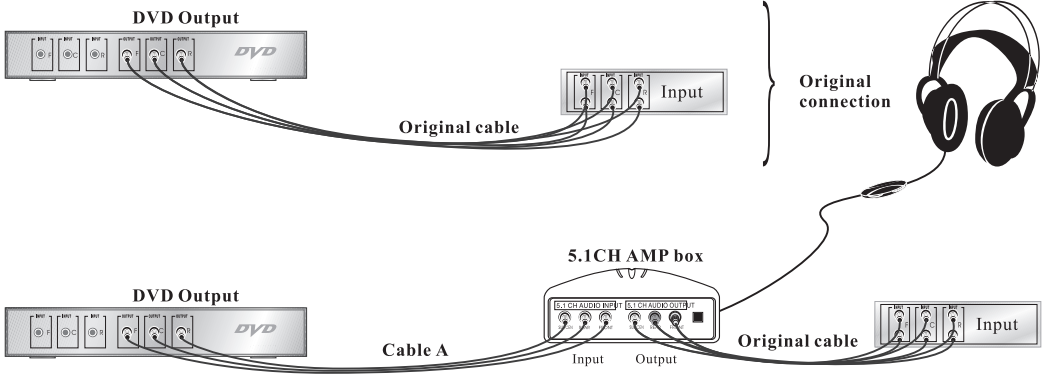
Connection schemes



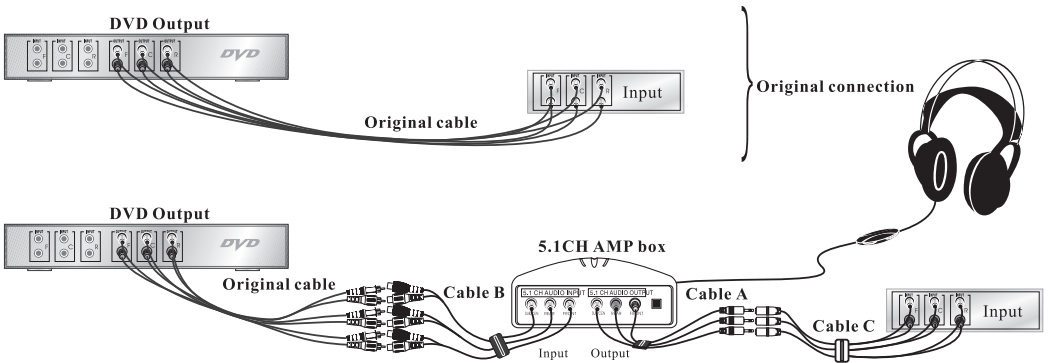
1. If your DVD-Player or Computer with 6 channels output sound sources and your amplifier device / 5.1 speakers with 3 channels input sound sources.



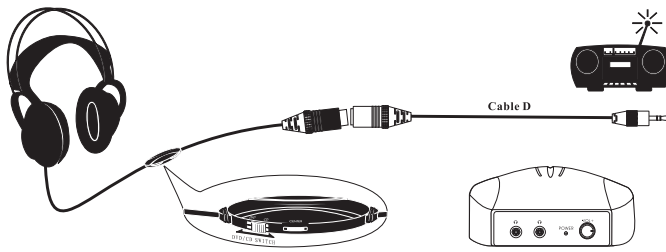
2. If your DVD-Player or Computer with 3 channels output sound sources and your amplifier device / 5.1 speakers with 3 channels input sound sources.



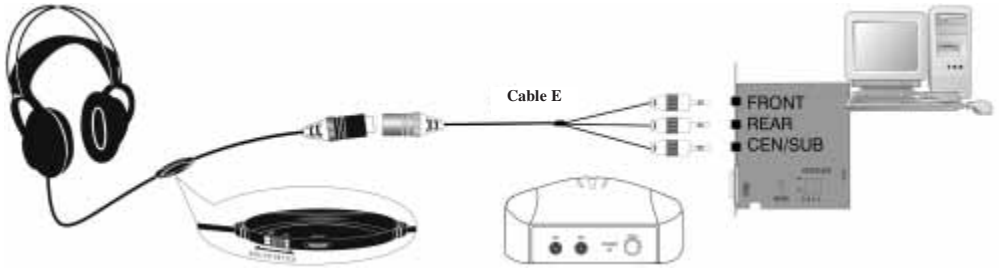
3. If your DVD-Player or Computer with 3 channels output sound sources and your amplifier device / 5.1 speakers with 6 channels input sound sources.



4. If your DVD-Player or Computer with 6 channels output sound sources and your amplifier device / 5.1 speakers with 6 channels input sound sources.



5. For using with CD-Player and VCD-Player etc., please refer to the following connection and switch DVD/CD to CD position.



6. For using with computer 5.1 sound card, please refer to the following connection and switch DVD/CD to DVD position.

General information's

Extremely high or low temperatures can damage headphones. Unauthorized case opening causing warranty void and is dangerous because high voltage inside. All repairs must be performed by authorized service. Case can be cleaned with soft wipe and cleaner for plastic materials.